

DAIKIN AIR CONDITIONER INSTALLATION MANUAL



Two-dimensional bar code is a code for manufacturing.

Safety Precautions

- Read these Safety Precautions carefully to ensure correct installation.
- This manual classifies the precautions into WARNINGS and CAUTIONS. Be sure to follow all the precautions below: they are all important for ensuring safety.

	WARNINGS	Failure to follow any of WARNING is likely to result in such grave consequences as death or serious injury.
	CAUTIONS	Failure to follow any of CAUTION may in some cases result in grave consequences.

- The following safety symbols are used throughout this manual:

	Be sure to observe this instruction.		Be sure to establish a proper earth grounding connection.		Never attempt.
--	--------------------------------------	--	---	--	----------------

- After completing installation, test the unit to check for installation errors. Give the user adequate instructions concerning the use and cleaning of the unit according to the Operation Manual.

WARNINGS

- Installation should be left to the authorized dealer or another trained professional. Improper installation may cause water leakage, electrical shock, fire, or equipment damage.
- Install the air conditioner according to the instructions given in this manual. Incomplete installation may cause water leakage, electrical shock, fire or equipment damage.
- Be sure to use the supplied or exact specified installation parts. Use of other parts may cause the unit to come to lose, water leakage, electrical shock, fire or equipment damage.
- Install the air conditioner on a solid base that is level and can support the unit's weight. An inadequate base or incomplete installation may cause injury or equipment damage in the event the unit falls off the base or comes loose.
- Electrical work should be carried out in accordance with the installation manual and the national, state and local electrical wiring codes. Insufficient capacity or incomplete electrical work may cause electrical shock, fire or equipment damage.
- Be sure to use a dedicated power circuit. Never use a power supply shared by another appliance. Follow all appropriate electrical codes.
- For wiring, use a wire or cable long enough to cover the entire distance with no splices if possible. Do not use an extension cord. Do not put other loads on the power supply. Use only a separate dedicated power circuit. (Failure to do so may cause abnormal heat, electric shock, fire or equipment damage.)
- Use the specified types of wires for electrical connections between the indoor and outdoor units. Follow all state and local electrical codes. Firmly clamp the interconnecting wires so their terminals receive no external stresses. Incomplete connections or clamping may cause terminal overheating, fire or equipment damage.
- After connecting all wiring be sure to shape the cables so that they do not put undue stress on the electrical covers, panels or terminals. Install covers over the wires. Incomplete cover installation may cause terminal overheating, electrical shock, fire or equipment damage.
- When installing or relocating the system, be sure to keep the refrigerant circuit free from all substances other than the specified refrigerant (R410A), such as air. (Any presence of air or other foreign substance in the refrigerant circuit causes an abnormal pressure rise which may result in rupture, resulting in injury.)
- If any refrigerant has leaked out during the installation work, ventilate the room.
- After all installation is complete, check to make sure that no refrigerant is leaking.
- During pump-down, stop the compressor before removing the refrigerant piping. If the compressor is still running and the shut-off valve is open during pump-down, air will be sucked in when the refrigerant piping is removed, causing abnormally high pressure which could lead to equipment damage or and personal injury.
- During installation, attach the refrigerant piping securely before running the compressor. If the compressor is not attached and the shut-off valve is open during pump-down, air will be sucked in when the compressor is run, causing abnormally high pressure which could lead to equipment damage and personal injury.
- Securely install the outdoor unit terminal cover (panel). If the terminal cover (panel) is not installed properly, dust or water may enter the outdoor unit and fire or electric shock may result.
- Install an leak circuit breaker, as required. If an leak circuit breaker is not installed, electric shock may result.
- Be sure to establish a ground. Do not ground the unit to a utility pipe, arrester, or telephone ground.
- Be sure to install a ground fault circuit interrupter breaker. Failure to install a ground fault circuit interrupter breaker may result in electrically shocks, fire or personal injury.

CAUTIONS

- Do not install the air conditioner where gas leakage would be exposed to open flames.
- Establish drain piping according to the instructions of this manual. Inadequate piping may cause water damage.
- Note for installing the outdoor unit. (For heat pump model only.) In regions of the country where the outside temperature is at or below the freezing point, the drain may freeze. If so, it is recommended that an electric heater be installed in order to protect the drain from freezing.
- Tighten the flare nut according to the specified torque. A torque wrench should be used. If the flare nut is tightened too much, the flare nut may crack over time and cause refrigerant leakage.
- Be very careful about product transportation. Some products use PP bands for packaging. Do not use any PP bands for a means of transportation. It is dangerous.
- Never perform outdoor unit piping connection work when it is raining.
- Make sure to provide for adequate measures in order to prevent that the outdoor unit be used as a shelter by small animals. Small animals making contact with electrical parts can cause malfunctions, smoke or fire. Please instruct the customer to keep the area around the unit clean.

Accessories

Accessories supplied with the outdoor unit:

(A) Installation manuals	1	(B) Drain plug (Heat pump-Models)	1
		Located on the bottom of the packing case.	

Precautions for Selecting the Location

- 1) Choose a place strong enough to bear the weight and vibration of the unit, The location should not amplified the unit noise.
- 2) Choose a location where the hot air discharged from the unit and the operationing noise will not be a nuisance to the neighbors.
- 3) Avoid noise sensitive locations such as bedrooms to avoid future problems.
- 4) There must be sufficient clearance for carrying the unit into and out of the site.
- 5) There must be sufficient space around the air inlet and the air outlet with no obstructions to airflow.
- 6) The surrounding area must be free from the possibility of flammable gas leakage.
- 7) Install units, power cords and inter-connecting cables at least 10 feet away from television and radio sets. This is to prevent interference to images and sounds. (Noises may be heard even if they are more than 10 feet away depending on radio wave conditions.)
- 8) In coastal areas or other places with salty atmosphere of sulfate gas, corrosion may shorten the life of the air conditioner.
- 9) Do not place moisture sensitive equipment or articles under the outdoor unit condensate drain.

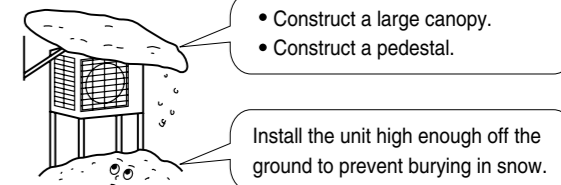
NOTE

Do not install unit by hanging from a ceiling or stacking units.

Caution

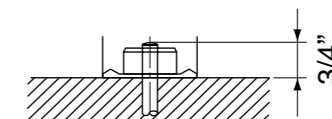
When operating the air conditioner in a outdoor temperature below, be sure to follow the instructions described below.

- 1) To prevent exposure to wind, install the outdoor unit with its suction side facing the wall.
- 2) Never install the outdoor unit at a site where the suction side may be exposed directly to wind.
- 3) To prevent exposure to wind, it is recommended to install a baffle plate on the air discharge side of the outdoor unit.
- 4) In heavy snowfall areas, select an installation site where the snow will not affect the unit.



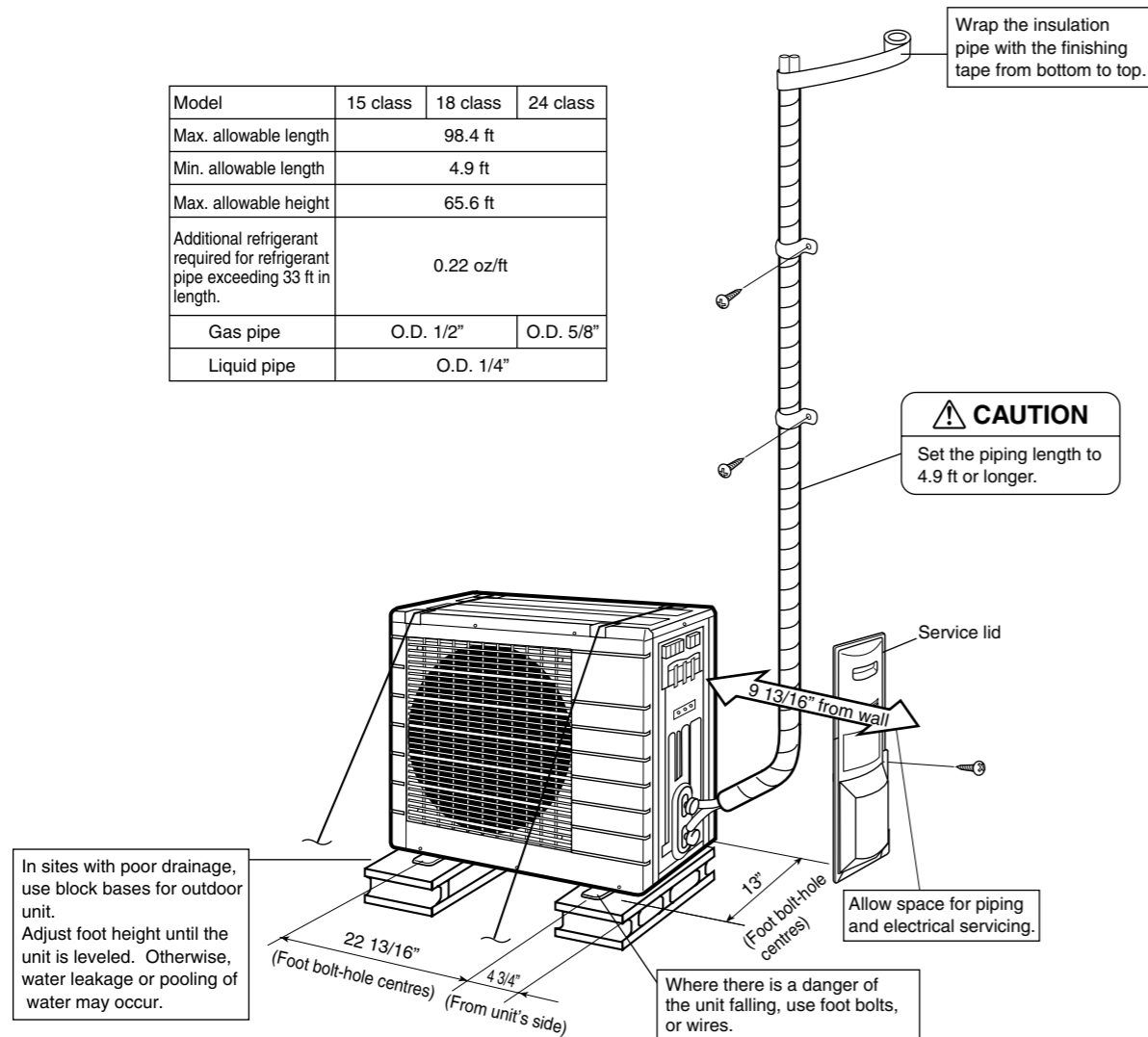
Precautions on Installation

- Ensure the strength and level of the installation will not cause any operating vibration or noise after installed.
- In accordance with the foundation drawing, fix the unit securely by means of the foundation bolts. (Prepare four sets of 3/8" or 7/16" foundation bolts, nuts and washers each which are available on the market.)
- It is best to screw in the foundation bolts until their length are 3/4" from the foundation surface.



Outdoor Unit Installation Drawings

Model	15 class	18 class	24 class
Max. allowable length	98.4 ft		
Min. allowable length	4.9 ft		
Max. allowable height	65.6 ft		
Additional refrigerant required for refrigerant pipe exceeding 33 ft in length.	0.22 oz/ft		
Gas pipe	O.D. 1/2"	O.D. 5/8"	
Liquid pipe	O.D. 1/4"		



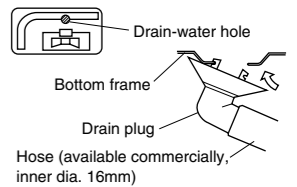
Outdoor Unit Installation

1. Installing Outdoor Unit

- When installing the outdoor unit, refer to "Precautions for Selecting the Location" and the "Outdoor Unit Installation Drawings."
- If drain work is necessary, follow the procedures below.

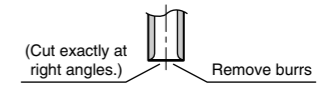
2. Drain Work

- Use drain plug for drainage.
- If the drain port is covered by a mounting base or floor surface, place additional foot bases of at least 1 1/4" in height under the outdoor unit's feet.
- In cold areas, do not use a drain hose with the outdoor unit. (Otherwise, drain water may freeze, impairing heating performance.)



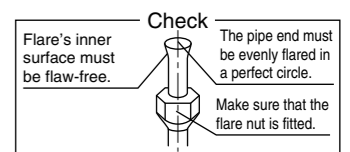
3. Flaring the Pipe End

- Cut the pipe end with a pipe cutter.
- Remove burrs with the cut surface facing downward so that the chips do not enter the pipe.
- Put the flare nut on the pipe.
- Flare the pipe.
- Check that the flaring is properly made.



Set exactly at the position shown below.

Flare tool for R-410A	Conventional flare tool		
	Clutch-type	Clutch-type (Rigid-type)	Wing-nut type (Imperial-type)
A	0 - 0.020"	0.039 - 0.059"	0.059 - 0.079"

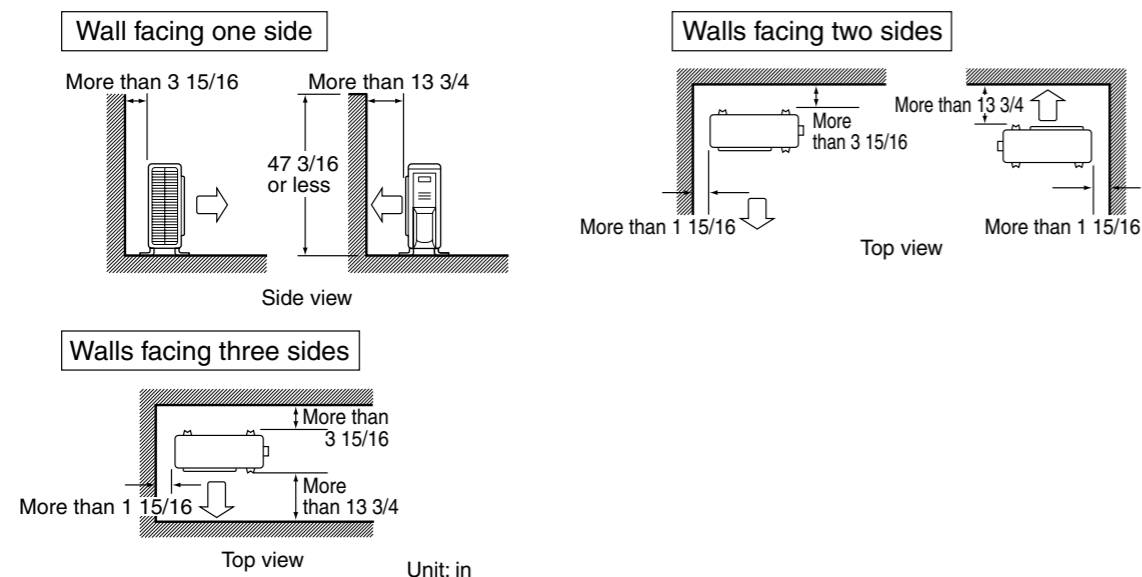


Warning

- Do not use mineral oil on flared part.
- Prevent mineral oil from getting into the system as this would reduce the unit life.
- Never use piping which has been used for previous installations. Only use parts which are provided with the unit.
- Do never install a refrigerant drier to this unit.
- The drying material may dissolve and damage the system.
- Incomplete or improper flaring may cause refrigerant gas leakage.

Installation Guidelines

- Where a wall or other obstacle is in the path of outdoor unit's intake or exhaust airflow, follow the installation guidelines below.
- For any of the below installation patterns, the wall height on the exhaust side should be 4 ft or less.

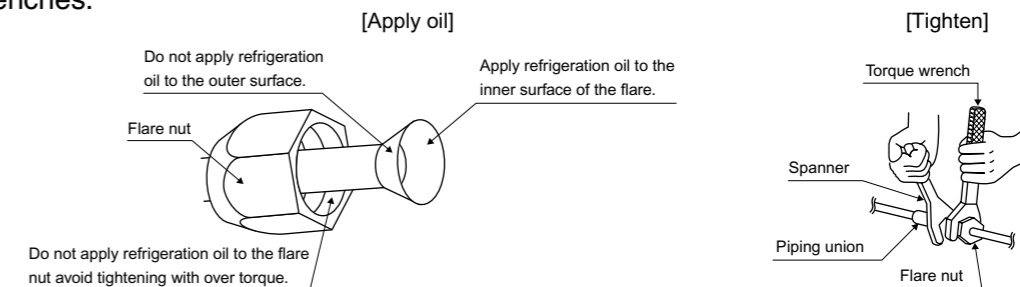


4. Refrigerant Piping

Caution

- Use the flare nut fixed to the main unit. (To prevent cracking of the flare nut by aged deterioration.)
- To prevent gas leakage, apply refrigeration oil only to the inner surface of the flare. (Use refrigeration oil for R410A.)
- Use torque wrenches when tightening the flare nuts to prevent damage to the flare nuts and gas leakage.

Align the centres of both flares and tighten the flare nuts 3 or 4 turns by hand. Then tighten them fully with the torque wrenches.



Flare nut tightening torque			Valve cap tightening torque		
Gas side		Liquid side	Gas side		Liquid side
1/2 inch	5/8 inch	1/4 inch	1/2 inch	5/8 inch	1/4 inch
36.5~44.5ft • lbf	45.6~55.6ft • lbf	10.4~12.7ft • lbf	35.5~44.0ft • lbf	32.5~39.7ft • lbf	15.9~20.2ft • lbf

Service port cap tightening torque	7.9~10.8ft • lbf
------------------------------------	------------------

Outdoor Unit Installation

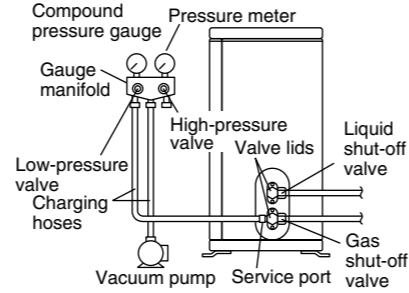
5. Purging Air and Checking for Gas Leakage

- When the piping work is completed, it is necessary to purge the air and check for gas leakage.

Warning

- Do not place any substance other than the specified refrigerant (R410A) into the refrigeration cycle.
- When a refrigerant gas leak occurs, ventilate the room as soon and as much as possible.
- R410A, as well as other refrigerants, should always be recovered and never be released directly into the environment.
- Use a vacuum pump for R410A exclusively. Using the same vacuum pump for different refrigerants may damage the vacuum pump or the unit.

- If adding additional refrigerant, perform air purging from the refrigerant pipes and indoor unit using a vacuum pump before charging additional refrigerant.
- Use a hexagonal wrench (3/16") to operate the shut-off valve rod.
- All refrigerant pipe joints should be tightened with a torque wrench to the specified tightening torque.



1) Connect projection side (on which worm pin is pressed) of charging hose (which comes from gauge manifold) to gas shut-off valve's service port.

2) Fully open gauge manifold's low-pressure valve (Lo) and completely close its high-pressure valve (Hi). (High-pressure valve subsequently requires no operation.)

3) Do vacuum pumping and make sure that the vacuum pressure gauge reads - 29.9 inHg *1.

4) Close gauge manifold's low-pressure valve (Lo) and stop vacuum pump. (Keep this state for a few minutes to make sure that the vacuum pressure gauge pointer does not swing back.)*2.

5) Remove valve lids from liquid shut-off valve and gas shut-off valve.

6) Turn the liquid shut-off valve's rod 90 degrees counterclockwise with a hexagonal wrench to open valve. Close it after 5 seconds, and check for gas leakage. Using soapy water, check for gas leakage from indoor unit's flare and outdoor unit's flare and valve rods. After the check is complete, wipe all soapy water off.

7) Disconnect charging hose from gas shut-off valve's service port, then fully open liquid and gas shut-off valves. (Do not attempt to turn valve rod beyond its stop.)

8) Tighten valve lids and service port cap for the liquid and gas shut-off valves with a torque wrench at the specified torques.

*1. Pipe length vs. vacuum pump run time

Pipe length	Up to 50 feet	More than 50 feet
Run time	Not less than 10 min.	Not less than 15 min.

*2. If the vacuum pressure gauge pointer swings back, refrigerant may have water content or a loose pipe joint may exist. Check all pipe joints and retighten nuts as needed, then repeat steps 2) through 4).

6. Refilling The Refrigerant

Check the type of refrigerant to be used on the machine nameplate.

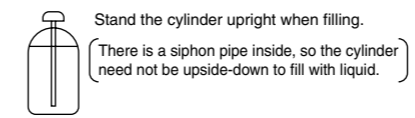
Precautions when adding R410A

Fill from the liquid pipe in liquid form.

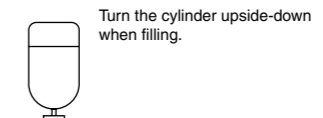
It is a mixture of refrigerant, so adding it in gas form may cause the refrigerant composition to change, preventing normal operation.

- Before filling, check whether the cylinder has a siphon attached or not. (It should have something like "liquid filling siphon attached" displayed on it.)

Filling a cylinder with an attached siphon



Filling other cylinders

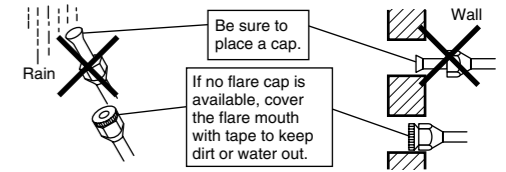


- Be sure to use the R410A tools to ensure pressure and to prevent foreign objects entering.

7. Refrigerant Piping Work

7-1 Cautions on Pipe Handling

- Protect the open end of the pipe against dust and moisture.
- All pipe bends should be as gentle as possible. Use a pipe bender for bending.

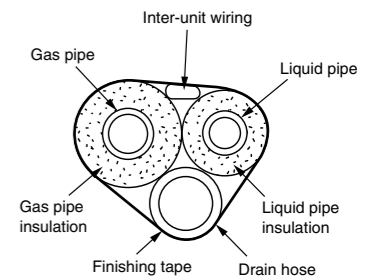


7-2 Selection of Copper and Heat Insulation materials

When using commercial copper pipes and fittings, observe the following:

- Insulation material: Polyethylene foam
Heat transfer rate: 0.041 to 0.052 W/mK (0.024-0.030 Btu/ft²°F)
Refrigerant gas pipe's surface temperature reaches 230°F max.
Choose heat insulation materials that will withstand this temperature.
- Be sure to insulate both the gas and liquid piping and to provide insulation dimensions as below.

Gas side		Liquid side	Gas pipe thermal insulation		Liquid pipe thermal insulation
15/18 class	24 class	15/18/24 class	15/18 class	24 class	15/18/24 class
O.D. 1/2 inch	O.D. 5/8 inch	O.D. 1/4 inch	I.D. 0.551-0.630 inch	I.D. 0.630-0.709 inch	I.D. 0.315-0.393 inch
Minimum bend radius			Thickness 0.393 inch Min.		
1-9/16 inch or more	1-15/16 inch or more	1-3/16 inch or more			
Thickness 0.031 inch (C1220T-O)	Thickness 0.039 inch (C1220T-O)	Thickness 0.031 inch (C1220T-O)			

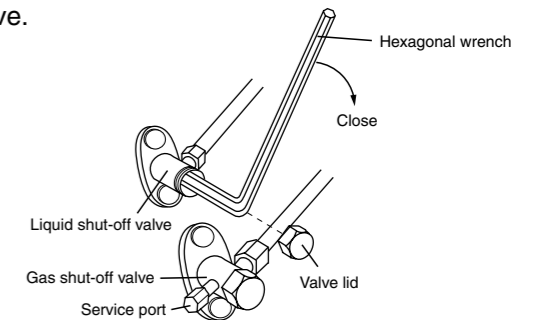


- Use separate thermal insulation pipes for gas and liquid refrigerant pipes.

Pump Down Operation

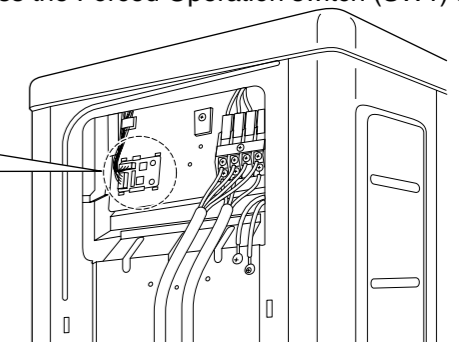
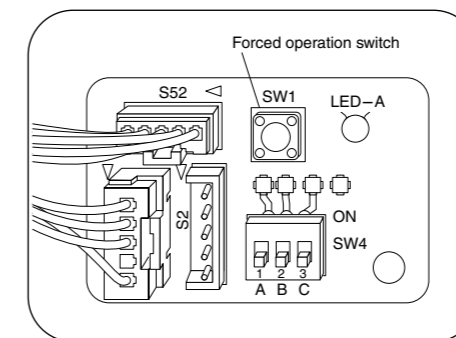
In order to protect the environment, be sure to pump down when relocating or disposing of the unit.

- Remove the valve lids from liquid shut-off valve and gas shut-off valve.
- Carry out forced cooling operation.
- After five to ten minutes, close the liquid shut-off valve with a hexagonal wrench.
- After two to three minutes, close the gas shut-off valve and stop forced cooling operation.



Forced cooling operation

- Press the Forced Operation switch (SW1) to begin forced cooling. Press the Forced Operation switch (SW1) again to stop forced cooling.



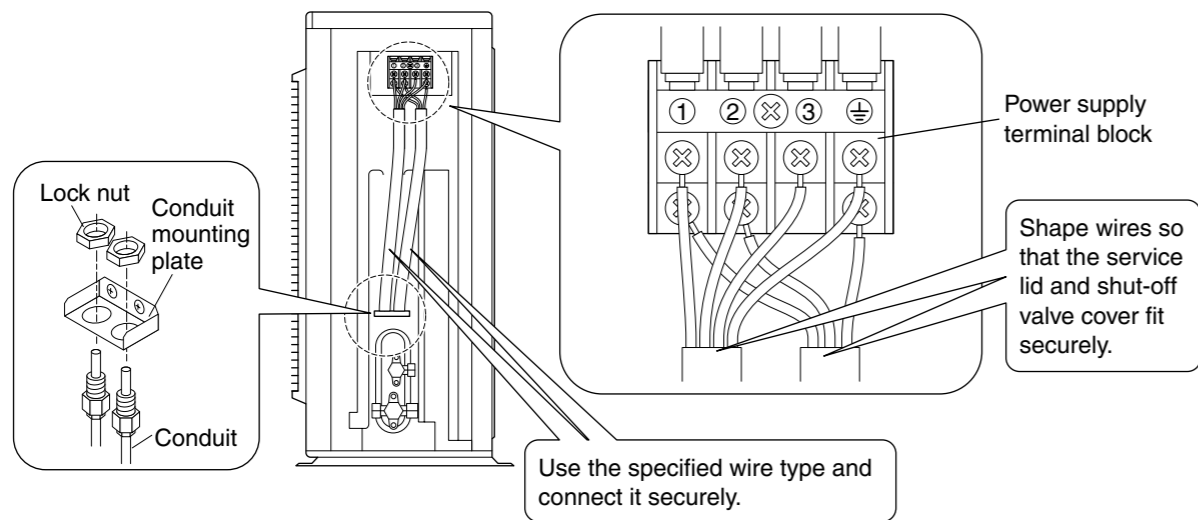
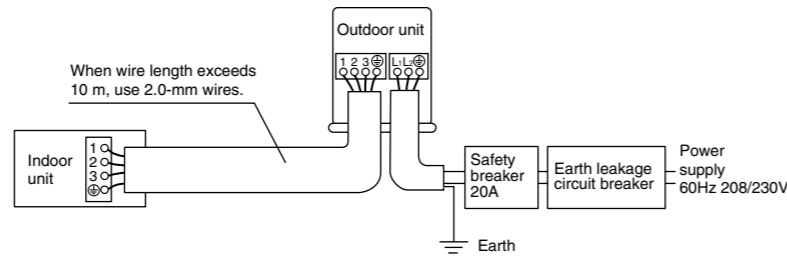
Wiring

Warning

- 1) Do not use spliced wires, stranded wires, extension cords, or starburst connections, as they may cause overheating, electrical shock, or fire. Follow all Local, and State electrical codes.
- 2) Do not use locally purchased electrical parts inside the product. (Do not overload the circuit by adding drain pump or other electrical equipment to unit terminals.) Doing so may cause electric shock or fire.
- 3) Be sure to install an earth leak detector. (One that can handle higher harmonics.)
(This unit uses an inverter, which means that it must be used an earth leak detector capable handling harmonics in order to prevent malfunctioning of the earth leak detector itself.)
- 4) When carrying out wiring connection, take care not to pull at the conduit.
- 5) Do not connect the power wire to the indoor unit. Doing so may cause electric shock or fire.

- Do not turn ON the safety breaker until all work is completed.

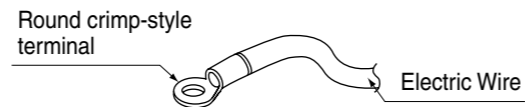
- 1) Strip the insulation from the wire (3/4 in).
- 2) Connect the connection wires between the indoor and outdoor units **so that the terminal numbers match**. Tighten the terminal screws securely. We recommend a flathead screwdriver be used to tighten the screws. The screws are packed with the terminal board.



Observe the notes mentioned below when wiring to the power supply terminal board.

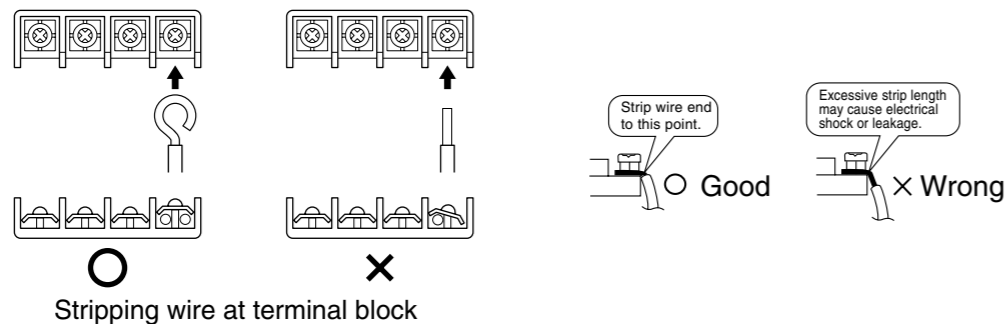
Precautions to be taken for power supply wiring.

(Use a round crimp-style terminal for connection to the power supply terminal board. In case it cannot be used due to unavoidable reasons, be sure to observe the following instruction.)



Caution

When connecting the connection wires to the terminal board using a single core wire, be sure to perform curling. Problems with the work may cause heat and fires.



- 3) Pull the wire and make sure that it is tight. Then fix the wire in place with a strain relief.

Run Test and Final Check

1. Trial Operation and Testing.

- 1-1 Measure the supply voltage and make sure that it falls in the specified range.
- 1-2 Trial operation should be carried out in either cooling or heating mode.

- In cooling mode, select the lowest programmable temperature; in heating mode, select the highest programmable temperature.
 - 1) Trial operation may be disabled in either mode depending on the room temperature.
 - 2) After trial operation is complete, set the temperature to a normal level (78°F to 82°F in cooling mode, 68°F to 75°F in heating mode).
 - 3) For protection, the unit disables restart operation for 3 minutes after it is turned off.

- 1-3 Carry out the test operation in accordance with the Operation Manual to ensure that all functions and parts, are working properly.

- The air conditioner requires a small amount of power in its standby mode. If the system is not to be used for some time after installation, shut off the circuit breaker to eliminate unnecessary power consumption.
- If the circuit breaker trips to shut off the power to the air conditioner, the system will restore the original operation mode when the circuit breaker is opened again.

2. Test Items.

Test Items	Symptom	Check
Indoor and outdoor units are installed properly on solid bases.	Fall, vibration, noise	
No refrigerant gas leaks.	Incomplete cooling/heating function	
Refrigerant gas and liquid pipes and indoor drain hose extension are thermally insulated.	Water leakage	
Drain line is properly installed.	Water leakage	
System is properly ground to earth.	Electrical leakage	
The specified wires are used for interconnecting wire connections.	Inoperative or burn damage	
Indoor or outdoor unit's air intake or exhaust has clear path of air. Shut-off valves are opened.	Incomplete cooling/heating function	
Indoor unit properly receives remote control commands.	Inoperative	